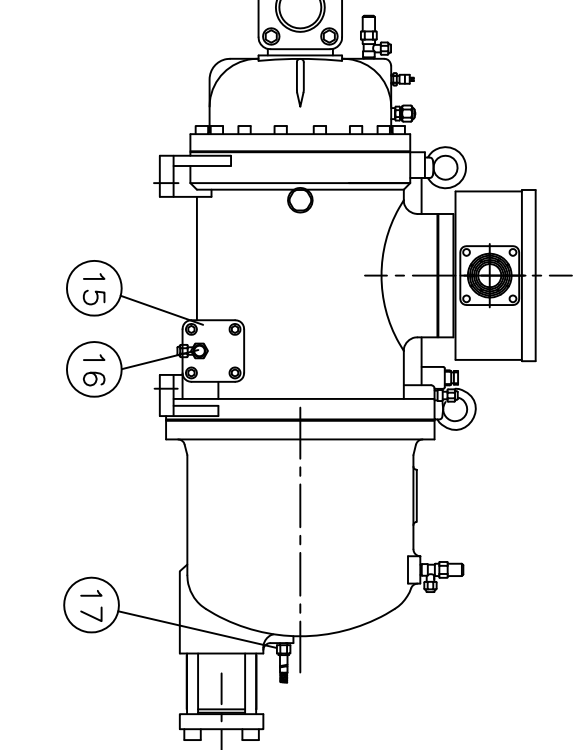
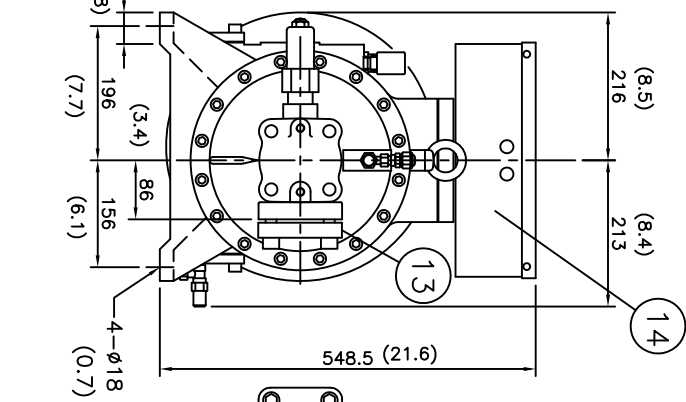
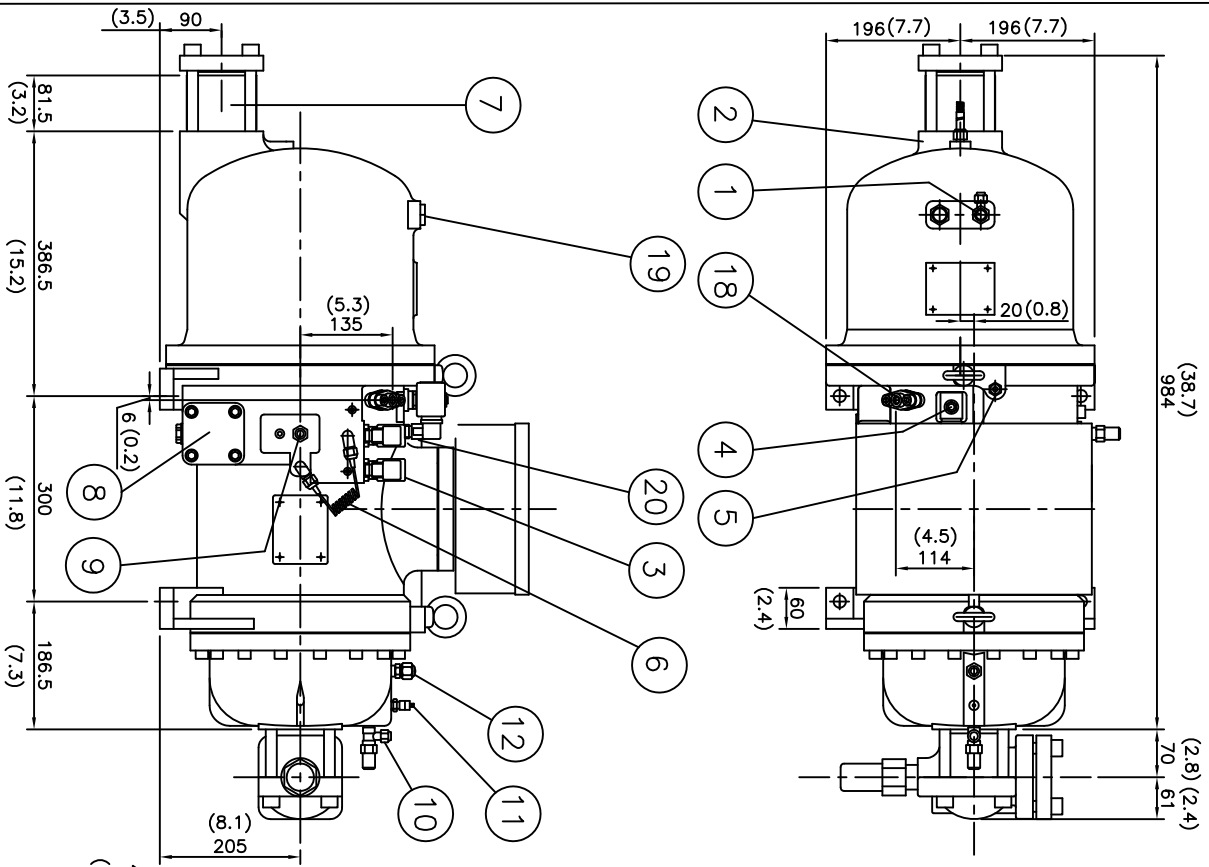


No.	Name	Note	No.	Name	Note
1	Angle valve	1/4"Flare	11	Refrigerant service valve	1/4"Flare
2	Discharge flange*	2"	12	NOT USED	3/8"Flare, option
3	Solenoid valve	33%(NC)	13	Suction flange	2"
4	Solenoid valve	66%(NC)	14	Cable box	Standard
5	Liquid(oil or refrigerant) injection connector	3/8"Flare, option	15	Service flange	option
6	Capillary		16	Oil drain valve	
7	Check valve	2"	17	Discharge temp. sensor	110°C
8	Service flange		18	Economizer connector	5/8", solder
9	Oil Inlet Connector	3/8"Flare	19	Safety Valve	
10	Angle valve	1/4"Flare	20	Solenoid valve	Stepless(NC or NO), option

\* All stop valves are optional.  
 \*\* Discharge side should be connected with 1 1/2" pipe.



Dimensional Outline Drawing & Component Description  
 for Stepless or Modulating-Type Capacity Control Application

Hanbell Model	RC2-100BF, 140BF
Date and Rev.	08/17/12 A
Drawn By	M. Schreiber



Micro Control Systems, Inc.  
 5580 Enterprise Parkway  
 Fort Myers, Florida 33905

Tel. (239) 694-0089 Fax (239) 694-0031  
 E-mail: compressors@mcscontrols.com

Hanbell Precise Machinery Co., Ltd.

